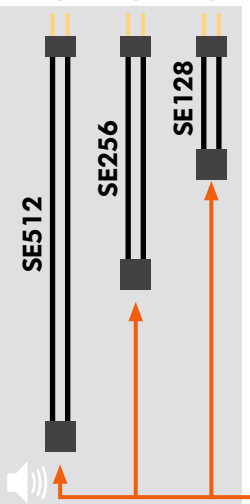


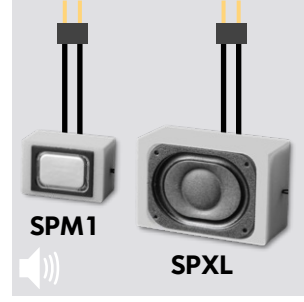
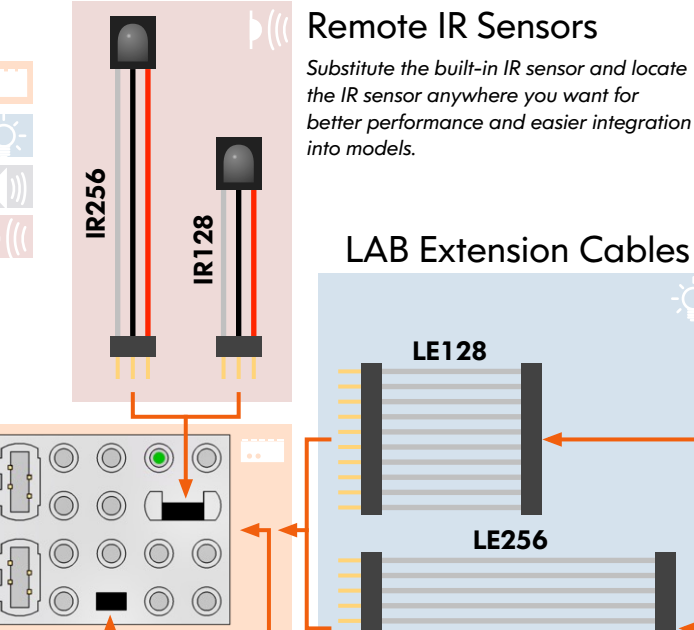
Legend

- Bricks
- Lighting
- Audio
- Connectivity

- PfX Brick 4 MB
- PfX Brick 8 MB
- PfX Brick 16 MB
- PfX Brick IR 4 MB
- PfX Brick IR 8 MB
- PfX Brick IR 16 MB
- PfX Lite



Speaker Extension Cables
Extend the connection of speakers to the PFX Brick.



Speakers
LEGO® brick form factor speakers with outstanding acoustic performance.

Remote IR Sensors

Substitute the built-in IR sensor and locate the IR sensor anywhere you want for better performance and easier integration into models.

LAB Extension Cables

Extend the connection of LABs to the PFX Brick Light Dock Connector

LABs

pinLAB

- pinLABsolo LA08
- pinLABduo LA16
- pinLABquad LA32

picoLABs

- picoLABsolo LB08
- picoLABduo LB16
- microLAB LB18

eliteLABs

- eliteLABsolo LE08
- eliteLABduo LE16

Brickstuff LABs¹

COMPATIBILITY

picoLEDs
LEAF01-Pxx
LEAF01-SLAMP
LEAF02-WW

COMPATIBILITY

GROW01.5 BRANCH03 LEAF07
GROW06 BRANCH04 LEAF10-TW
GROW12 BRANCH10v2 LEAF10-RGB
GROW24 BRANCH11v2 KIT03
BRANCH15 QK2-TORCH

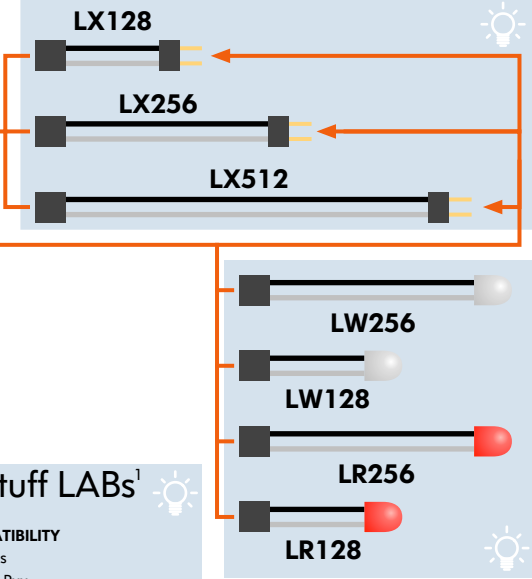
LifeLites LABs²

COMPATIBILITY

LED-6xx KIT-PORTEXPANDER
LED-12xx ACC-EXT6, 12, 24
LED-STUD1xx ACC-EXPBOARD
LED-STUD6xx ACC-JMP3, 6, 12
LED-12POSTxx ACC-SWITCH
LED-MODULITExx eLites

LABs enable the connection of LEDs and lighting accessories from many different vendors. They expand the number of physical lights per lighting channel and support many different connector styles and form factors.

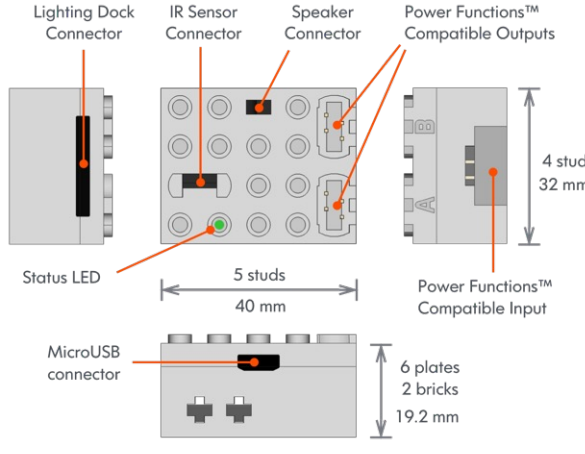
Fx LED Extension Cables



Extend the connection of Fx LEDs or OEM 0.1" connector style LEDs to the pinLAB.

Fx LEDs
Fx LEDs are premium quality durable LEDs from Fx Bricks. They are based around 3 mm diameter radial LEDs connected with gold-plated 0.1" header style connectors. These connectors balance small size, durability, and ease of connection/disconnection.

PfX Brick Mechanical Reference

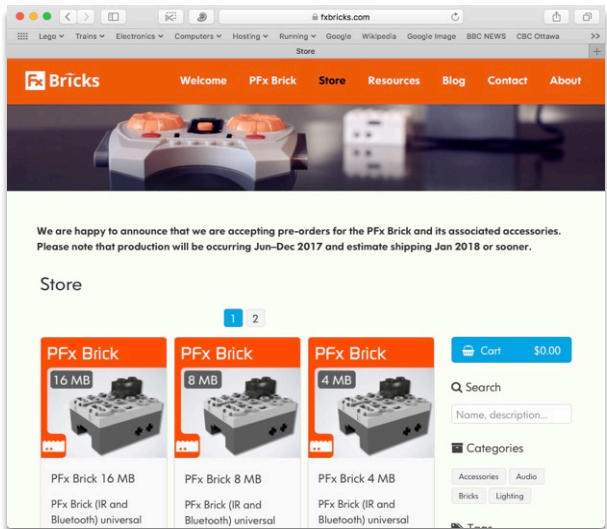


1. Brickstuff™ and Pico LED™ are trademarks of Enthusiast Enterprises, LLC. Compatible operation not guaranteed in all circumstances, check with manufacturer if uncertain.
2. LifeLites and eLites are trademarks of LifeLites, LLC. Compatible operation not guaranteed in all circumstances, check with manufacturer if uncertain.

PfX Bricks

SKU	Product	MSRP*
A216	PfX Brick 16 MB	119.95
A208	PfX Brick 8 MB	\$109.95
A204	PfX Brick 4 MB	\$99.95
2216	PfX Brick IR 16 MB	109.95
2208	PfX Brick IR 8 MB	\$99.95
2204	PfX Brick IR 4 MB	\$89.95
2701	PfX Lite	\$59.95

Visit www.fxbricks.com for the latest products and pricing!



Audio Products

SKU	Product	MSRP*
SPXL	XL Speaker, 2W, 4x6	\$27.95
SPM1	M Speaker, 1W, 2x3	\$18.95
SE128	Speaker extension cable (128 mm)	\$7.95
SE256	Speaker extension cable (256 mm)	\$9.95
SE512	Speaker extension cable (512 mm)	\$12.95

Light Accessory Boards (LABs)

SKU	Product	MSRP*
LE128	LAB extension cable (128 mm)	\$10.95
LE256	LAB extension cable (256 mm)	\$13.95
LA08	pinLABsolo, 8x ch for Fx LEDs	\$9.95
LA16	pinLABduo, 16x ch (8x2) for Fx LEDs	\$12.95
LA32	pinLABquad, 32x ch (8x4) for Fx LEDs	\$18.95
LB08	picoLABsolo, 8x ch for Brickstuff picoLEDs	\$9.95
LB16	picoLABduo, 16x ch for Brickstuff picoLEDs	\$12.95
LB18	microLAB, 8x ch for Brickstuff	\$11.95
LE08	eliteLABsolo, 8x ch for Life Lites eLites	\$9.95
LE16	eliteLABduo, 16x ch for Life Lites eLites	\$12.95

New products coming soon!

Fx LED Products

SKU	Product	MSRP*
LX128	Fx LED extension cable (128 mm)	\$4.95
LX256	Fx LED extension cable (256 mm)	\$6.95
LX512	Fx LED extension cable (512 mm)	\$9.95
LW128	Fx LED white (128 mm)	\$5.95
LW256	Fx LED white (256 mm)	\$7.95
LR128	Fx LED red (128 mm)	\$5.95
LR256	Fx LED red (256 mm)	\$7.95
LR256	Fx LED red (256 mm)	\$7.95
LX428	4x Fx LED extension cable (128 mm)	\$16.95
LX456	4x Fx LED extension cable (256 mm)	\$23.95
LW428	4x Fx LED white (128 mm)	\$19.95
LW456	4x Fx LED white (256 mm)	\$26.95
LR428	4x Fx LED red (128 mm)	\$19.95
LR456	4x Fx LED red (256 mm)	\$26.95

Connectivity Products

SKU	Product	MSRP*
IR128	Remote IR Sensor (128 mm)	\$14.95
IR256	Remote IR Sensor (256 mm)	\$16.95